



NINEBYFOUR





Thanks for choosing Ninebyfour.

Since we've pre-assembled the lamps,
installing them is done in a few simple steps.

Design by Waarmakers

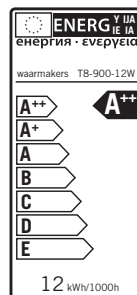
Notice: If you encounter anything unusual during the installation, or if the item differs from the description in this manual, we recommend to stop the installation process and contact us directly.

Company **Warmakers V.O.F.**
Keerpunt 10
1013 DK Amsterdam
The Netherlands
+31 20 261 76 68
info@warmakers.nl
store.warmakers.nl

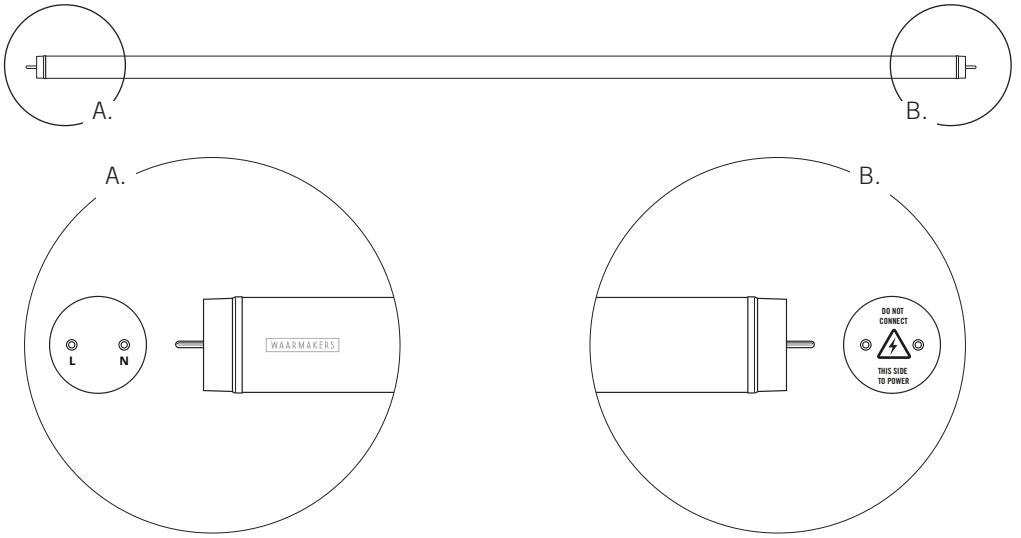
Product : LED Tubelight luminary
Model / Type : NinebyFour / Johannes Verhulst st
Power : 220V
Production year : 2017

Conform European guidelines:

2014/35/EU - Low voltage directive
2014/30/EU - Electromagnetic compatibility
2011/65/EU - RoHS



RoHS



SAFETY INSTRUCTIONS



As you unpack and prepare for assembly, place the contents on a carpeted or padded area to protect them from damage.

Use a damp cloth, never a strong cleaning agent. Do not immerse in water.

Note: 2 people are required to safely install this product.

To maintain the wood in best condition, oil once every 5 years, or whenever the wood looks particularly dry

IMPORTANT:

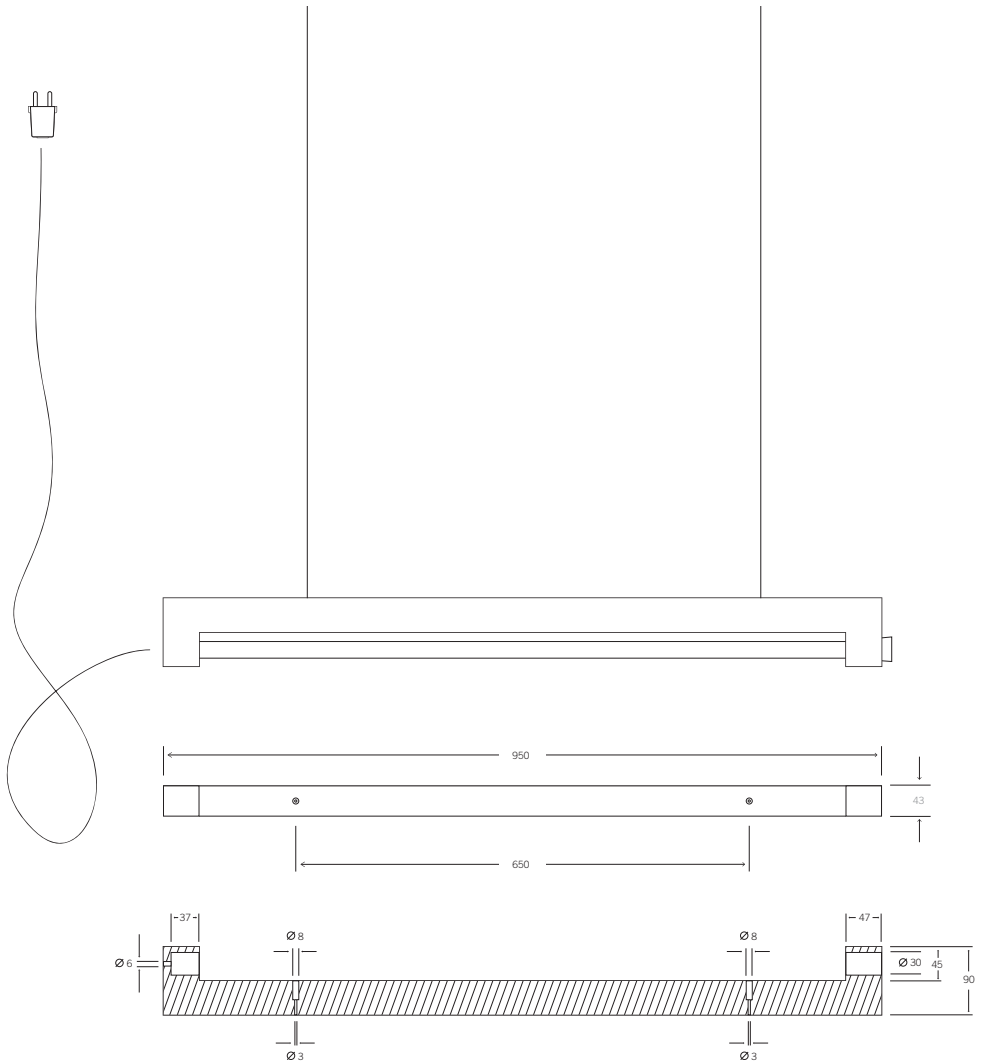
Installation of this wall mounted lamp should be performed by a licensed electrician. Plugs and screws for mounting the lamp are not included.

WARNING: TO AVOID THE RISK OF SUFFOCATION, KEEP THE CORK OUT OF REACH OF SMALL CHILDREN AND ANIMALS.

CAUTION! Always connect the side with printed info to power. Look for the sticker with L + N sign.

DO NOT insert the other end of the LED tube in the fitting connected to power.

IP20 [this lamp is not moisture or water resistant].



Dimensions

overall dimensions

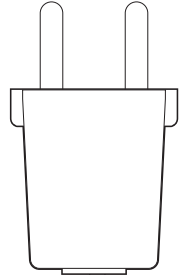
950x90x40mm
 black cloth wire 2m
 cord length 4m

Items included

Eye-bolts (screw in hooks) M4
Lamp stopper

Cable + plug
Stopper
Light source

2x
1x conical cork
32.5x28.5x27mm
1x cloth wire + 1x plug
Cork
T8 LED tube

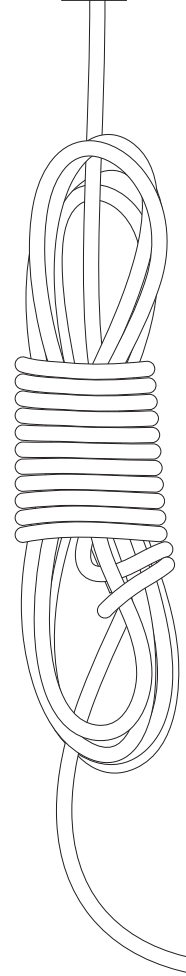
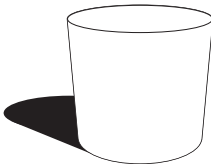
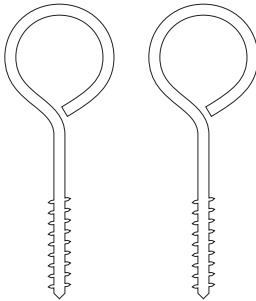


Pendant cord kit

Height adjusting system

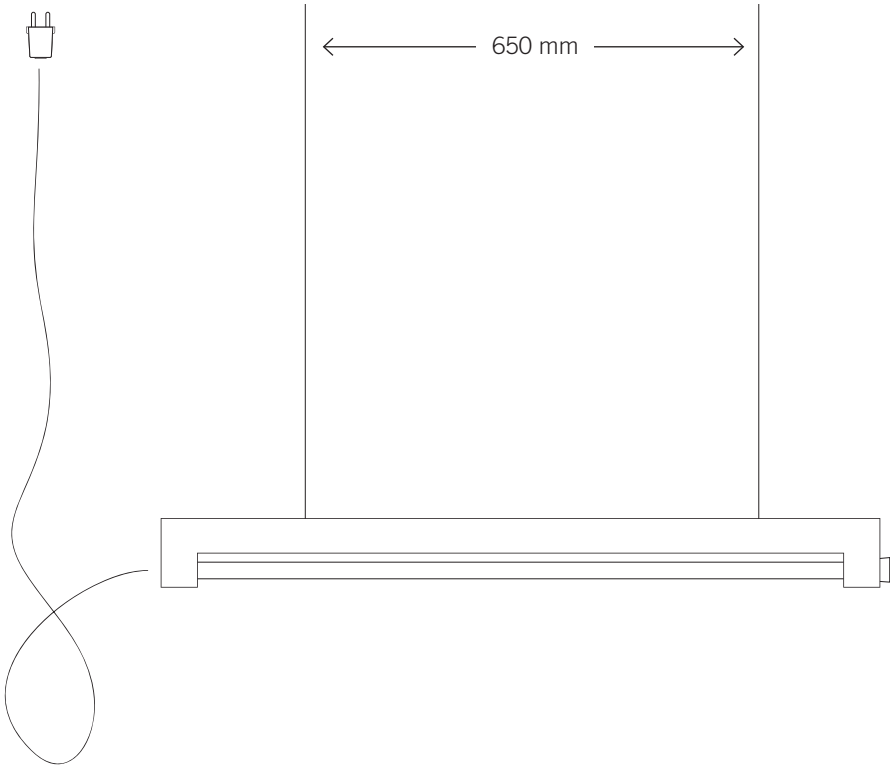
Cord

Wooden Spindle
82x10x12mm
2mm waxed cotton





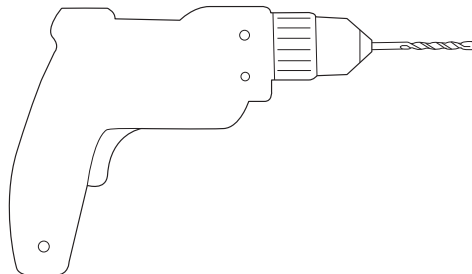
BEFORE STARTING,
TURN OFF MAIN POWER.

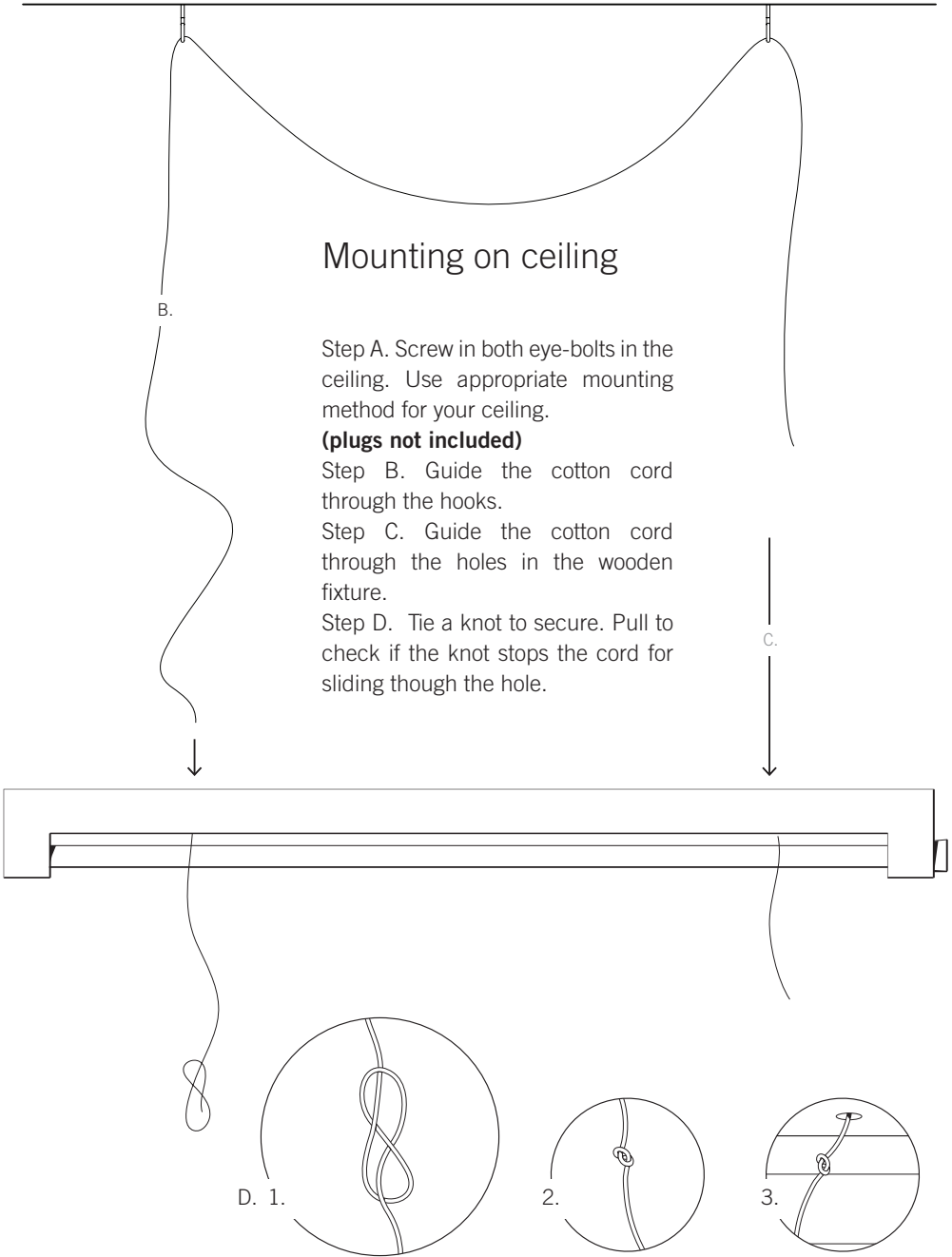


STEP 1.

Drill two holes 650 mm apart.

[make sure to use the appropriate
plugs - not included]





Step E. Levelling:

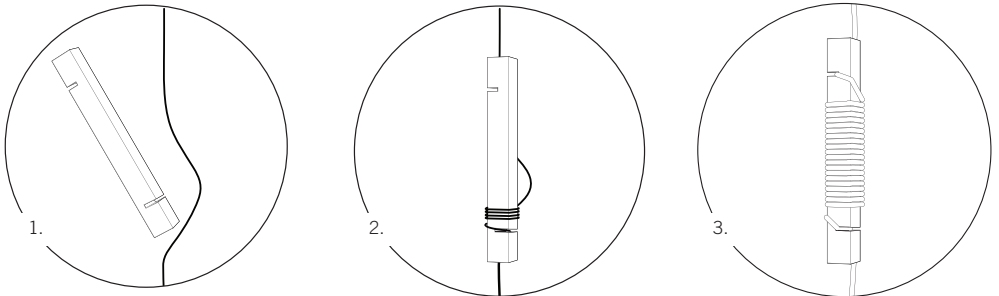
This is, and obviously so, a natural material. It might occur that the lamp is not perfectly horizontal the first try. To adjust, turn the knot in step 3. (bottom right of this page) a half or a quarter turn. This might take a little tinkering.

Adjusting the height

Step 1. Clamp the wooden pen at the bottom end on the cotton cord.

Step 2. Wrap the cord around the pen until reaching the desired height.

Step 3. Fix the cord by clamping the cord in the top end of the wooden pen.



PLEASE NOTE! Always check if the cord is securely clamped inside bottom and top slit in the wooden pen (figure 3).

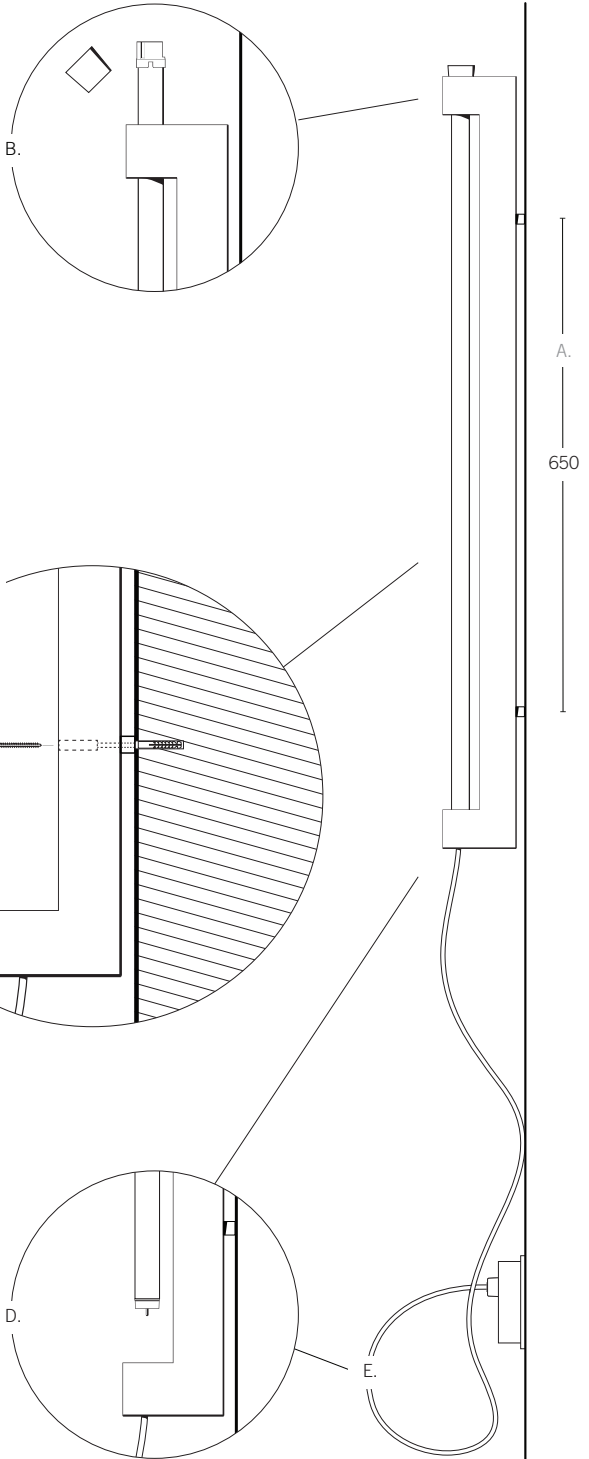
Mounting on wall

Step A. Drill holes at a distance of 650mm and insert plugs into holes in wall (not included).

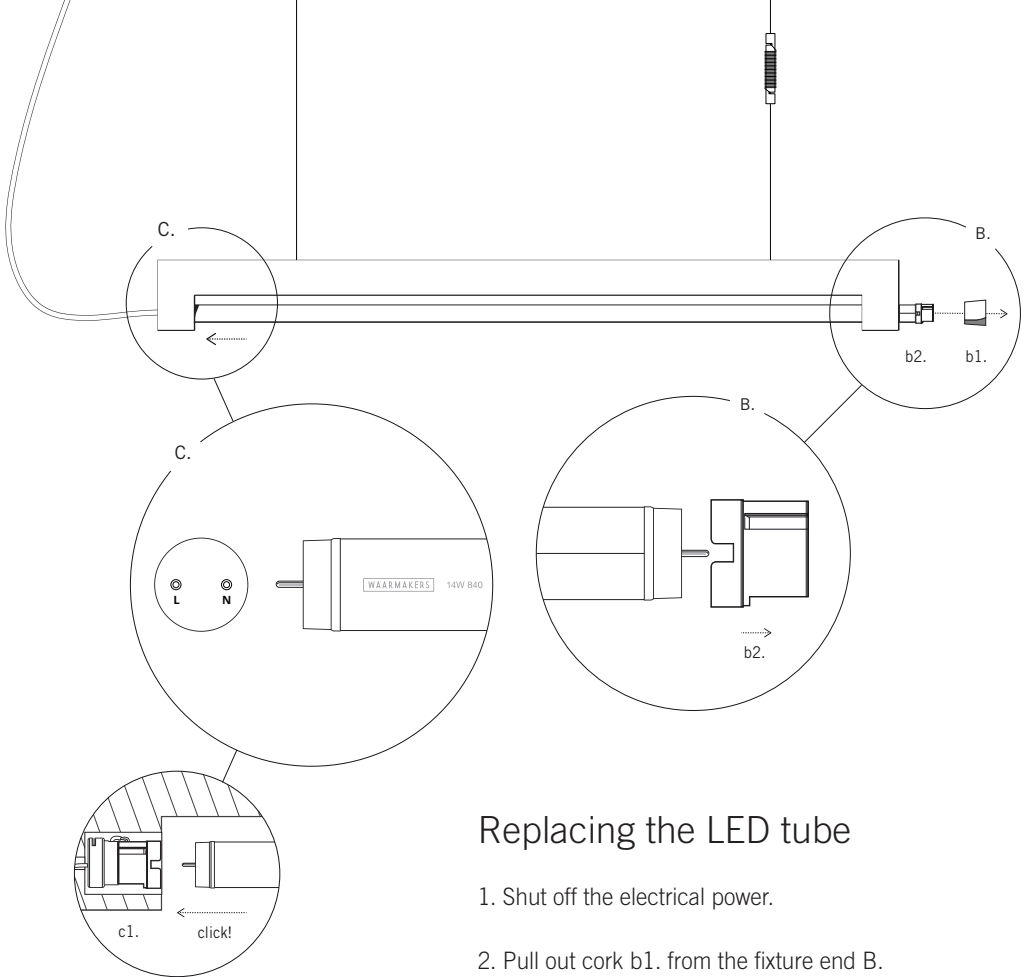
Step B. Remove cork-stop from lamp, then carefully remove the led tube.

Step C. Place the bolts through the wooden light-fixture and optional place the spacers (not included) over the ends of the bolts.

Step D. CAUTION! Install led-tube with printed information and L + N signs to powered fitting and close with cork-stop.



WARNING: To avoid the risk of suffocation, keep cork (B) out of reach of small children and animals.



Replacing the LED tube

1. Shut off the electrical power.
2. Pull out cork b1. from the fixture end B.
3. Take out the LED tube by carefully pulling at powered end while stopping the fitting from coming out of the hole (side C).
4. Pull the fitting (b2) off the LED tube and reattach the fitting to the new to be installed LED Tube.
- 5. CAUTION! LOOK FOR L+N STICKER. CONNECT ONLY THIS SIDE TO POWER (FIGURE C)**
6. Re-insert the LED Tube through hole (side B) and fix it in the fixture until it clicks into the powered fitting c1.
7. Re-insert cork b1 until its fixed.